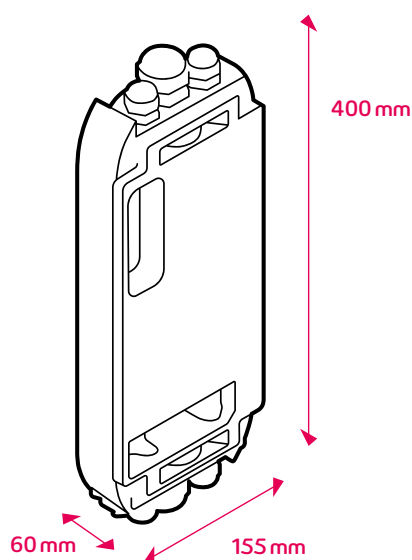


# eClick

## Data sheet

The eClick docking station has been designed for the eBox smart, professional, and touch. The eClick can be mounted on a wall or in the ePoleDuo. The eClick must be installed by a qualified electrician. The user may attach or replace the eBox.



eClick with contact protection  
(eBox can be secured in  
place after installation)

### Key features

- Docking station compatible with all eBox variants
- The eClick can be mounted on a wall or in the ePoleDuo

### Certificates



# eClick

## Data sheet

General and electrical specifications	eClick	ePoleDuo/eClicks in ePoleDuo
Charging power	3.7/4.6/7.4/11/13.8/22 kW (16 A, 20 A, 32 A; single- or three-phase)	
Mains input power	eClick: three-phase current 400 V AC, 32 A (22 kW)/20 A (13.8 kW)/16 A (11 kW) or alternating (single-phase) current 230 V AC, 32 A (7.4 kW)/20 A (4.6 kW)/16 A (3.7 kW)	
Output power to eBox	eClick: three-phase current 400 V AC, 32 A (22 kW)/20 A (13.8 kW)/16 A (11 kW) or alternating (single-phase) current 230 V AC, 32 A (7.4 kW)/20 A (4.6 kW)/16 A (3.7 kW)	
Operating temperature	-30 °C to +50 °C (full load output at -30 °C to +50 °C)	
Storage temperature	-30 °C to +80 °C	
Weight	1.1 kg	
IEC protection class	I	I (eClicks)
eSmartMeter (MID compliant)	Optional for eClick, MID-compliant (Europe) and CE-certified; can optionally be screwed and wired into eClick	
Max line cross section	Max supply line (top or bottom entry): 10 mm <sup>2</sup>	Max supply line (bottom entry only): 10 mm <sup>2</sup>
Certifications	CE certificate (tested and confirmed by a certified body)	
Packaging dimensions (W x D x H)	515 mm x 225 mm x 75 mm	

Recommended additional accessories	eClick	ePoleDuo/eClicks in ePoleDuo
User protection to be installed in sub-distribution for each charge port	32 A connection: ABB F204A-40/0.03, Type A, 4-pin (short time delay operating voltage: 230/400 V AC) 16 A connection: ABB F204A-25/0.03, Type A, 4-pin (short time delay operating voltage: 230/400 V AC)	Type A RCD:
Short circuit/overload protection to be installed in sub-distribution for each charge port	32 A connection: ABB S203-NA K40A (rated switching capacity: 6,000 A) 16 A connection: ABB S203-NA K20A (rated switching capacity: 6,000 A)	Over-current protection device:

### innogy eMobility Solutions GmbH

Flamingoweg 1  
44139 Dortmund  
Germany

emobility@innogy.com  
innogy-emobility.com